



DBL

Differential Pressure Switches (Plastic)

The DBL Series Differential Pressure Switches are general purpose pressure switches designed for both HVAC and Energy Management applications. These pressure switches can be used to sense positive, negative, or differential air pressures when used in conjunction with an DBZ-06, A/SPT or A/VPT Series sampling tube. The NEMA 3 (IP54) rated weather proof plastic enclosure contains an On/Off, single stage micro switch and two pressure chambers separated by a silicone diaphragm. The enclosure also contains a 1/2" conduit knockout and guards against accidental contact with the live switch terminal screws as well as the factory calibrated linear set point adjusting knob. The set point can be adjusted without comparing to a field gauge, manometer or magnehelic.

Applications: Monitoring Filter Blockage, Proof of Flow, Prove Excessive or Insufficient Flow, Alarms and Control

The DBL Series is covered by ACI's Two (2) Year Limited Warranty. The warranty can be found in the front of ACI's Sensors & Transmitters catalog, as well as on ACI's web site, workaci.com.

PRODUCT SPECIFICATIONS

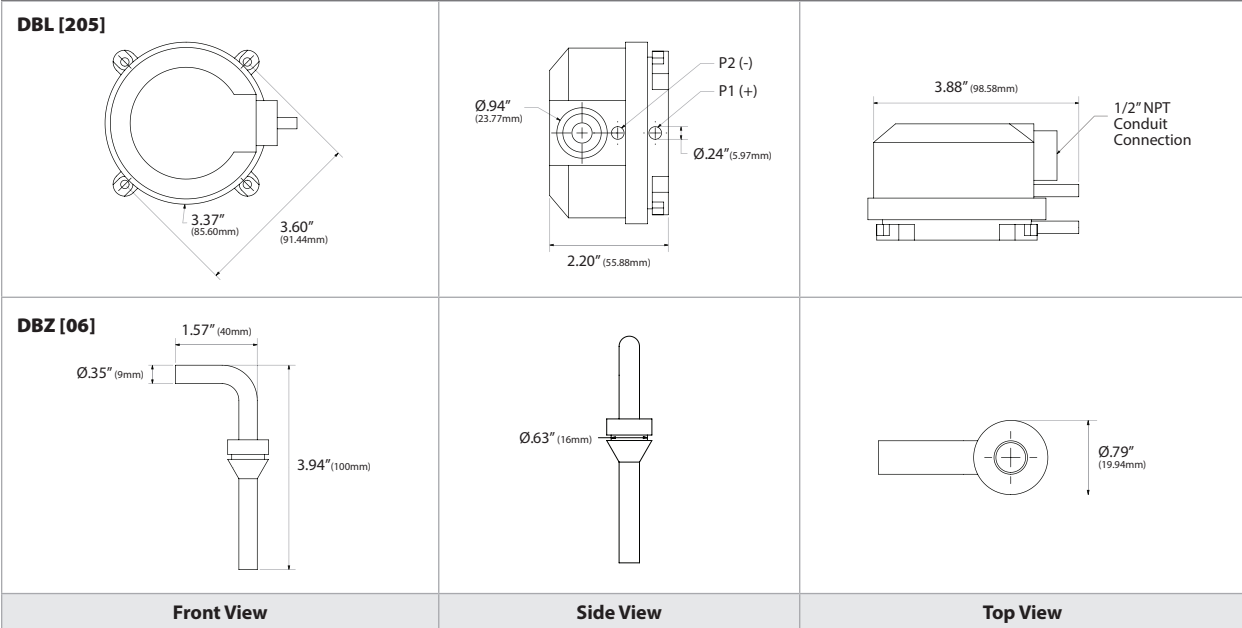
Input Pressure Range:	See ordering on reverse side
Adjustable Set Point Range:	See ordering grid below (Internal Linear Scaled knob)
Adjustable Set Point Switching Differential:	Factory Default: +/- 15% of Trip / Set Point; See ordering grid below for adjustable switching differential range
Contact (Load) Rating:	250 VAC maximum, 1.5A Resistive (0.4A Inductive)
Contact Arrangement:	SPDT (Form 1C) w/ Automatic Reset
Measured Media:	Air and other non-combustible, non-aggressive gases
Diaphragm Material:	Silicone
Maximum Operating Pressure:	40" wc (10 kPa)
Life Expectancy:	1,000,000 cycles
Operating Storage Temperature Range:	-4 to 185°F (-20 to 85°C)
Mounting Direction:	Any vertical plane
Enclosure Material:	Base = PA6.6 / Cover = Polystyrene (Transparent)
Enclosure Rating:	NEMA 3 (IP54)
Sample Line Connections:	Accepts 3/16" ID (8mm) Push on plastic/poly tubing
Electrical Connections:	Spade (Maximum 16 AWG (1.5 mm2))
Conduit Opening:	Accepts 1/2" NPT Conduit
Agency Approvals:	CE, ISO 9001, RoHS2, WEEE
Dimensions (Diameter x Height):	4.00" x 2.30" (100 x 58 mm)
Weight:	DBL Series: 0.40 lbs (0.20 kg) DBZ-06: 0.16 lbs (0.072 kg)

Note: For more information regarding the SPT and VPT Pitot Tubes, see their respective data sheets





DIMENSIONAL DRAWING



STANDARD ORDERING

Model # Example: **DBL-205L** -OR- **105934**

Model #	Item #	Ranges Inches wc (Adjustable Set Point)	Adjustable Switching Differential Inches wc	Contact Form
DBL-205L	105934	0.08 to 0.8" wc	0.04 to 0.08" wc	SPDT
DBL-205B	102423	0.20 to 2.0" wc	0.08 to 0.16" wc	SPDT
DBL-205D	102424	0.80 to 4.0" wc	0.40 to 0.80" wc	SPDT
DBL-205E	106255	2.0 to 10.0" wc	0.60 to 1.20" wc	SPDT

ACCESSORIES ORDERING | PICK UP PORTS

Model # Example: **DBZ-06** -OR- **106657**

Model #	Item #	Description
DBZ-06	106657	Duct Mounting Kit – Contains two metal right angle Pitot Tubes, two grommets and 6.5' (2.0m) tubing

Note*: Other compatible products include ACI's Pick up Port (A/PUP) Series, Medical Grade Tubing Kit (A/10'), Transformer Series (A/LE) and DC Power Supplies (A/PS24-24V-S)

